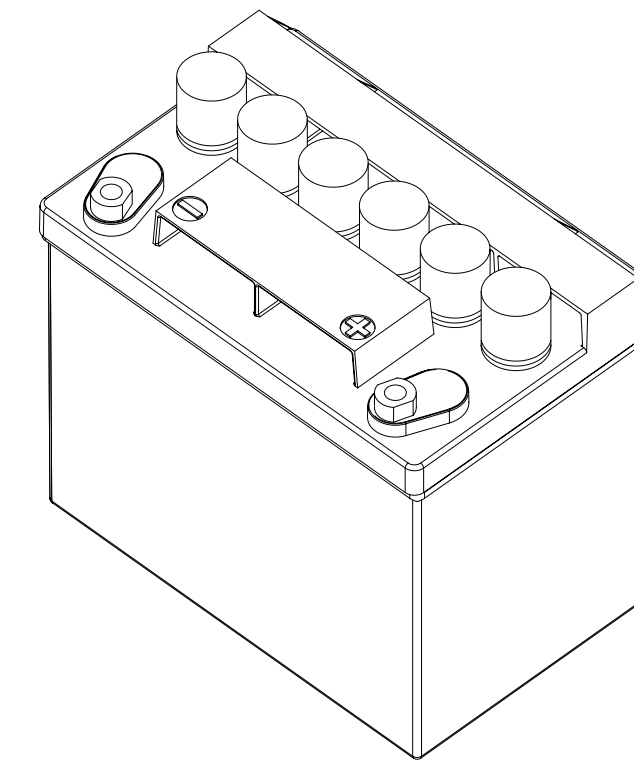
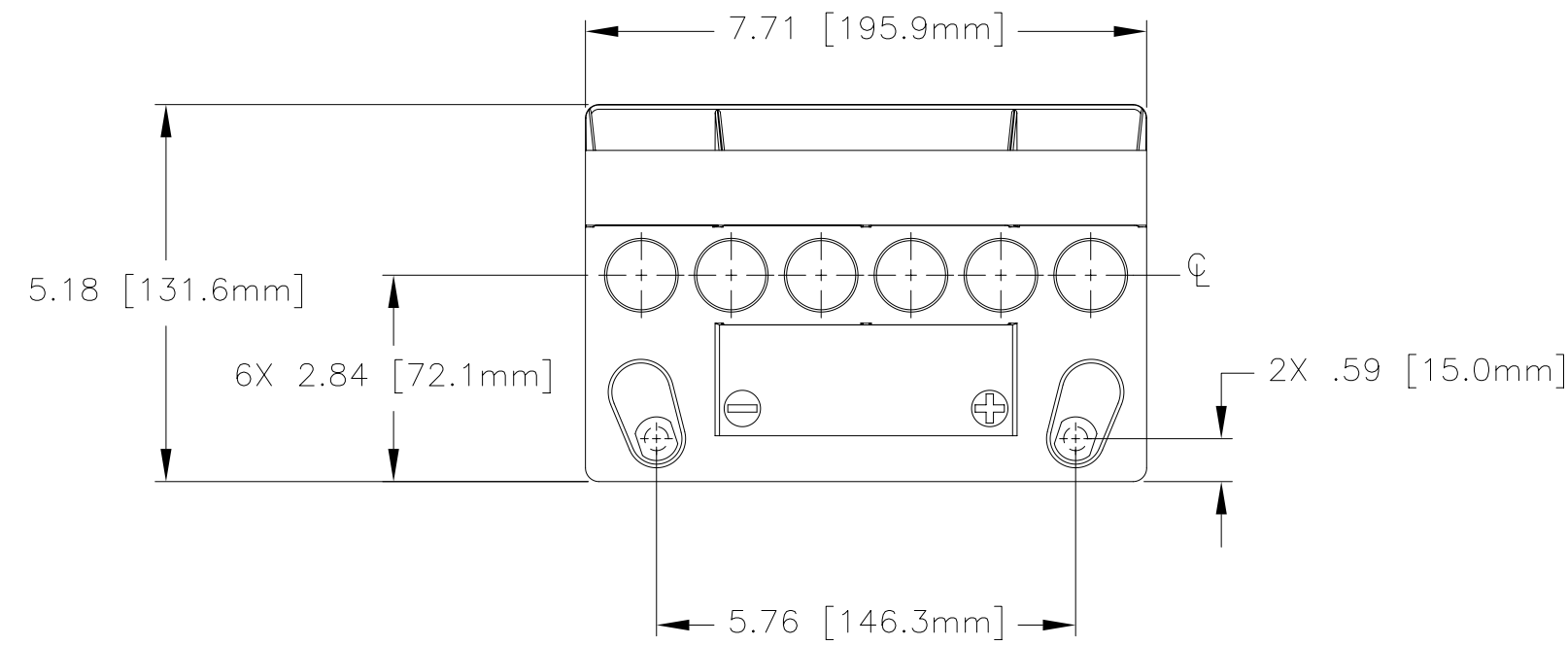


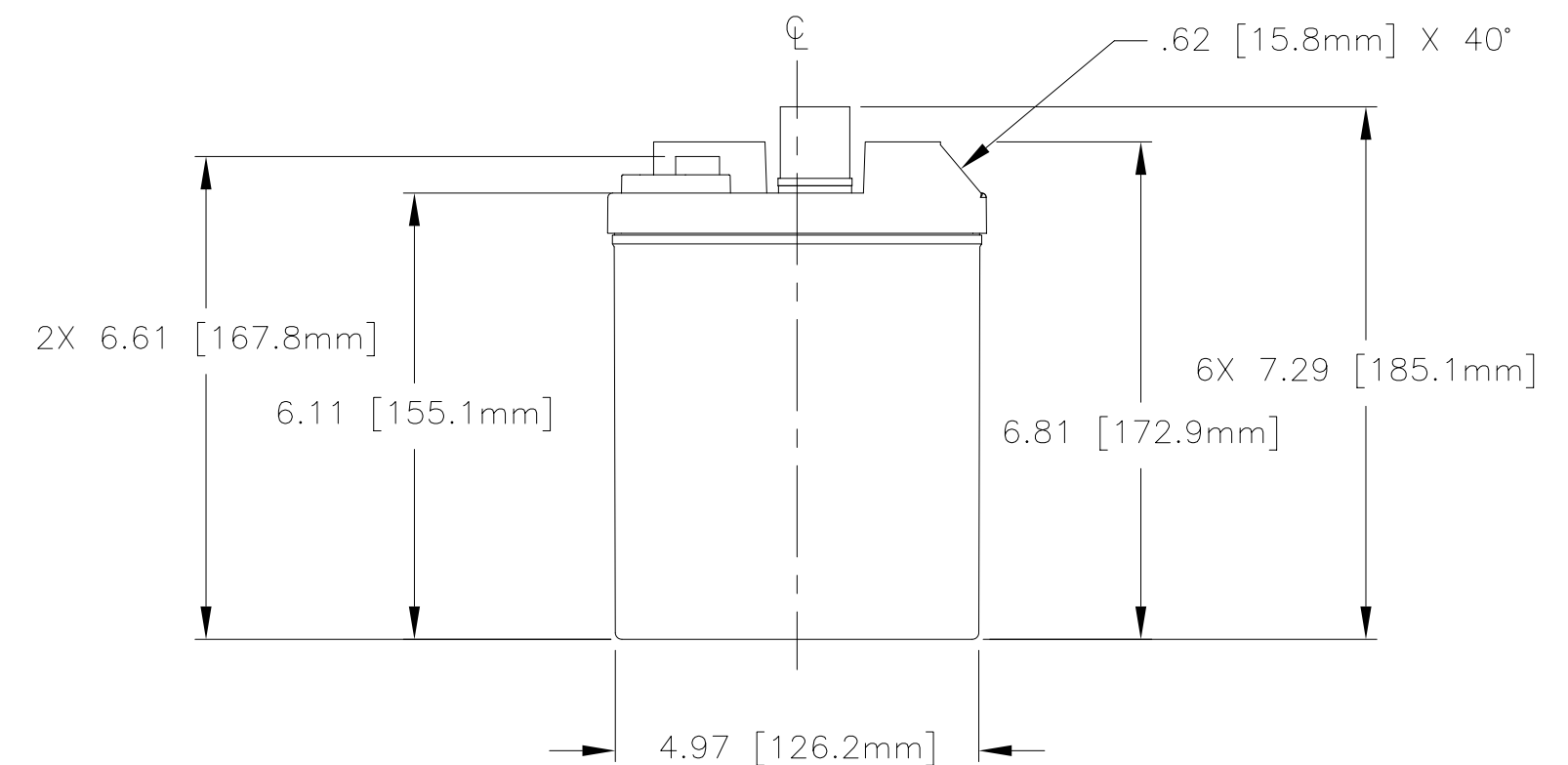
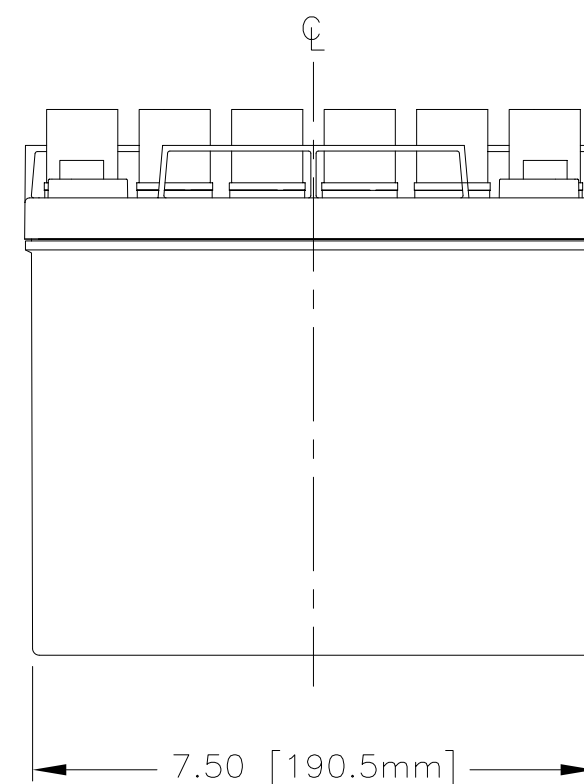
NOTES: UNLESS OTHERWISE SPECIFIED

- BATTERY CONFORMS TO THE DESIGN REQUIREMENTS OF 14 CFR PART 25.1353(c).
- INSPECT PER FAR 21.303(h) QUALITY SYSTEM.
- SEE DRAWING NO. CB-00101 AND PROCEDURE P-1000 FOR ASSEMBLY AND TEST INSTRUCTION. PROCEDURES AND ASSEMBLY DRAWINGS ARE FOR INTERNAL USE ONLY.
- TERMINAL HARDWARE KIT (CBC PN 9586) CONTAINS M8 HEX HEAD SCREWS AND CONICAL WASHERS.
- BATTERIES ARE RATED IAW INTERNATIONAL ELECTROTECHNICAL COMMISSION STD. 952-1 UNLESS OTHERWISE SPECIFIED.
- ALL DIMENSIONS ARE IN INCHES[MM].

REVISIONS			
REV	DESCRIPTION	DATE	APPROVED
A	NOTE 4 WAS: ...CB-00266...	1/10/00	JBT
B	REVISED NOTES & RATE TABLE	1/15/02	JBT



REFERENCE VIEW



ENVELOPE DRAWING

CAPACITY RATINGS	
PART NUMBER	CB-25
MAXIMUM WEIGHT	22 LBS [10 KG]
RATED CAPACITY, C ₁	20 AH
POWER RATING AT 23°C (74°F)	lpr 525 A, lpp 635 A
POWER RATING AT -18°C (0°F)	lpr 340 A, lpp 395 A
POWER RATING AT -30°C (-22°F)	lpr 230 A, lpp 270 A

QTY REQD	CAGE CODE	PART OR IDENTIFYING NO.	NOMENCLATURE OR DESCRIPTION	MATERIAL SPECIFICATION	ITEM NO.
PARTS LIST					
UNLESS OTHERWISE SPECIFIED DIMENSIONS ARE IN INCHES TOLERANCES ARE:		CONTRACT NO. NA		CONCORDE BATTERY CORPORATION	
FRACTIONS ± 1/32		APPROVALS		2009 SAN BERNARDINO RD, W. COVINA, CA 91790	
DECIMALS .xx ± .06		DATE		BATTERY, LEAD ACID,	
ANGLES .xxx ± .060		DRAWN A. MISTRESTTA		12 VOLT	
TREATMENT	NONE	CHECKED	JBT	4/30/99	TITLE
FINISH	NONE	APPROVED	MK	4/30/99	SIZE
SIMILAR TO	NA	ISSUED	AT	1/16/02	CAGE CODE
					63017
					DWG NO.
					CB-25
					REV
					B
					SCALE
					1=2.5
					SHEET
					1 OF 1

ENGINEERING COPY 16JAN02