

ITEM	PART NO.	REV	DESCRIPTION	QTY
1	591-0773	-	LABEL, 110-773 ANTENNA	1
2	870-0314	A	ANTENNA, 121.5/406MHz WHIP (CI-314)	1

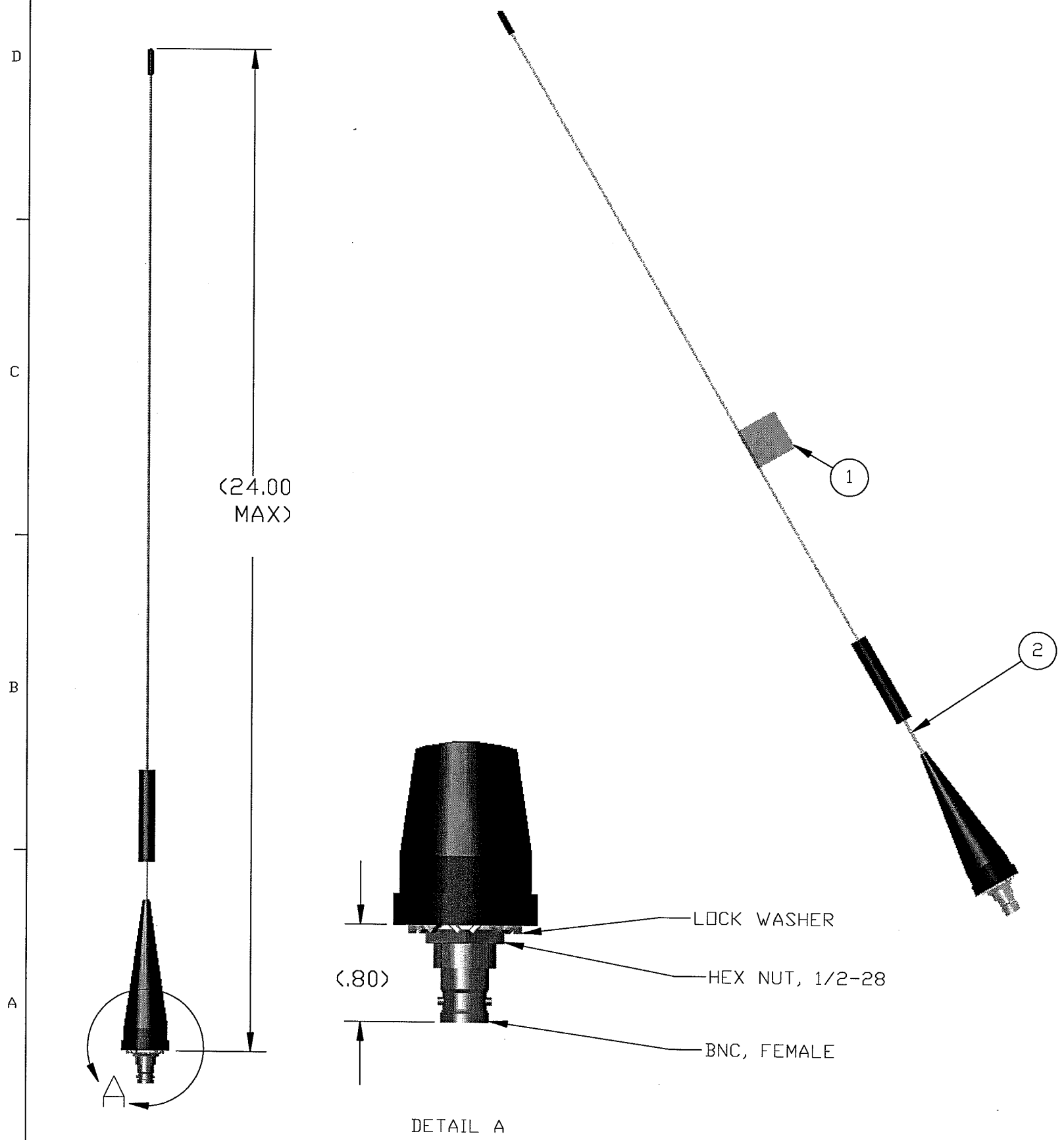
DATE	SYM	REVISION RECORD	AUTH	DR	CK
05-12-05	-	RELEASE	TK	RB	DE
10-27-05	A	DCN 2661	<i>WBN</i>	<i>RB</i>	<i>DE</i>

NOTES AND SPECIFICATIONS:

- ANTENNA CHARACTERISTICS (TA=20°C ± 5°C)
 FREQUENCY: 121.5MHZ VSWR: 2.0:1 MAX
 FREQUENCY: 406.028MHz VSWR: 1.5:1 MAX
 POLARIZATION: VERTICAL
 RADIATION PATTERN: OMNIDIRECTIONAL
 POWER RATING: 5 WATTS
 IMPEDANCE: 50 OHMS
- WEIGHT: .25LB. MAX
- ANTENNA SPEED RATING: 200 KIAS AT SEA LEVEL.
- TEST I.A.W. PROCEDURE 4300.
- APPLY LABEL (ITEM 1) AS SHOWN, EXACT PLACEMENT NOT CRITICAL.

INSTALLATION:

- PREPARE ANTENNA MOUNTING SURFACE TO ENSURE GROUND CONTACT OF LESS THAN 0.003 OHM. IF BARE METAL SURFACES ARE NEEDED, TREAT WITH APPROPRIATE ANTI-OXIDATION COMPOUND.
- DRILL 0.562 DIAMETER HOLE IN AIRCRAFT SKIN. USE ADAPTER OR BACKING PLATES AS REQUIRED. REFER TO FAA ADVISORY CIRCULAR 43.13-2A FOR COMPLETE INFORMATION. REMOVE 1/2-28 HEX NUT AND EXTERNAL TOOTH LOCK WASHER FROM BASE OF ANTENNA. INSTALL ANTENNA IN MOUNTING HOLE, ENSURE THAT "O" RING REMAINS IN BASE OF ANTENNA CONNECTOR FLANGE GROOVE AND THAT THE CONNECTOR HAS SUFFICIENT CLEARANCE THROUGH THE AIRCRAFT SKIN.
- TO MOUNT ANTENNA, PLACE LOCK WASHER AND HEX NUT ON INSIDE OF AIRCRAFT AND SANDWICH THE AIRCRAFT SKIN BETWEEN THE BASE OF THE ANTENNA AND LOCK WASHER, FOLLOWED BY THE HEX NUT. TIGHTEN HEX NUT TO BETWEEN 25 TO 30 INCH LBS.
- APPLY A SMALL, SMOOTH FILLET OF RTV SEALANT AROUND PERIPHERY OF ANTENNA BASE TO SEAL OUT MOISTURE.



TOLERANCE TABLE	
UNLESS OTHERWISE SPECIFIED	XX ±.03
TOLERANCES ARE:	.XXX ±.010
	.XXXX ±.005
	XX* ±1*
UNLESS OTHERWISE SPECIFIED	DIMENSIONS ARE IN INCHES & PER ASME Y14.5M

REVISION HISTORY ON SHEET 1

PROPRIETARY INFORMATION
 THIS DOCUMENT DISCLOSES SUBJECT MATTER IN WHICH ARTEX AIRCRAFT SUPPLIES, INC. HAS PROPRIETARY RIGHTS. NEITHER RECEIPT NOR POSSESSION THEREOF CONFERES OR TRANSFERS ANY RIGHT TO REPRODUCE OR DISCLOSE THE DOCUMENT, ANY PART THEREOF, ANY INFORMATION THEREIN, OR ANY PHYSICAL ARTICLE OR DEVICE, OR PRACTICE ANY METHOD OR PROCESS EXCEPT BY WRITTEN PERMISSION FROM OR WRITTEN AGREEMENT WITH ARTEX AIRCRAFT SUPPLIES, INC.

14405 KEIL ROAD NE, AURORA, OR. 97002		
SCALE: NONE	APPROVED BY:	REVISED BY: RB
DRG. DR. BY: RB	<i>Wendell Neumeier</i>	REV. DATE: 10-27-05
DRG. DATE: 05-12-05		
ANT, 121.5/406MHz WHIP		
SIZE B	SHEET 1 OF 1	DRAWING NUMBER: 110-773
		REV. A